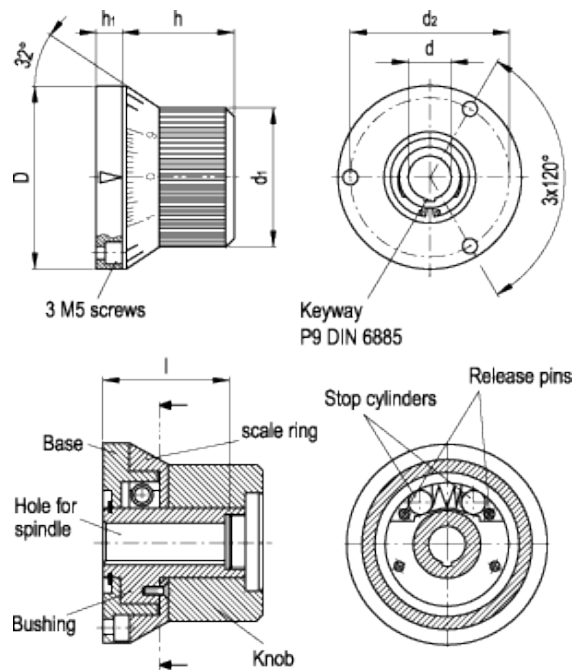


GN 700

Locking and continuous control
indexing mechanisms



technical informations

Knob

Knurled anodised aluminium, black colour, matte finish.

Base

Black-oxide steel. Assembly by means of three holes for M5 cylindrical head screws with hexagon socket.

Scale ring

Black anodised matte aluminium.
Assembly to the bushing by means of two countersunk head screws.

Internal locking mechanism

Ground and hardened steel.

Assembly

Steel bushing. H7 reamed hole and keyway in compliance with [DIN 6885/2 P9 tolerance](#). Assembly to the spindle by means of a keyway or a transversal pin.

Standard executions available

- Execution A: base with triangular index, ring with indexing line.
- Execution B: base and ring with plain surface.
- Execution S: base with triangular index, ring with graduated scale from 0 to 9 (100 dividing marks).

In A and S executions the triangular index is marked exactly in the middle, at the same distance from the base assembly holes (60°).

Special executions on request (For sufficient quantities)

For other numbering see [Graduations](#).

Features and applications

GN 700 locking and continuous control knobs are used to control machine spindles for clockwise and anti-clockwise rotation and to keep the spindle in a given position even when low-intensity vibrations or torque make it turn. Therefore, the locking system prevents the spindle from making uncontrolled movements and offers enhanced safety protection against rotation. The locking system, which operates on the principle of the two directional free wheel with lock, is used to transmit the movement without clearance in both directions.

This locking and continuous control knob cannot be used where the spindle rotates before the adjustment is performed or as a bearing for the controlled spindle or in case of high-intensity vibrations.

Instructions

By turning the control knob, one of the two release-pins (depending on the rotation direction) pushes the stop cylinder against the central spring into an inactive position that allows the bushing and therefore the spindle to rotate freely.

The second release-pin limits the movement of the other stop cylinder and, at the same time, ensures that the bushing is driven and rotated with precision while the first pin remains in the inactive position until the rotation ends, when the spring resets the lock.

The scale ring, connected to the assembly hole, accurately positions the machine spindle.

Thus, infinite adjustments can be performed to cover all operating requirements.

Assembly instructions

To ensure perfect operation of the GN 700 element, the base should be assembled exactly perpendicular to the spindle axis.

Standard Elements	Main dimensions					Mounting hole		Weight
Description	D	d ₁	d _{2 -0.2}	h	h ₁	d _{H7}	l	g
GN 700-66-K12-A	66	52	55	44	9	12	40	572
GN 700-66-K12-B	66	52	55	44	9	12	40	572
GN 700-66-K12-S	66	52	55	44	9	12	40	572
GN 700-66-K14-A	66	52	55	44	9	14	40	560
GN 700-66-K14-B	66	52	55	44	9	14	40	560
GN 700-66-K14-S	66	52	55	44	9	14	40	560

This product had the following design awards:



ELESA and GANTER models all rights reserved in accordance with the law. Always mention the source when reproducing our drawings.

STANDARD MACHINE ELEMENTS WORLDWIDE